

# HAFST $\alpha$ - Semiautomatic color controller

## CONTROL INDIVIDUAL LIGHT GROUPS VIA A TOUCHSCREEN



HAFST $\alpha$

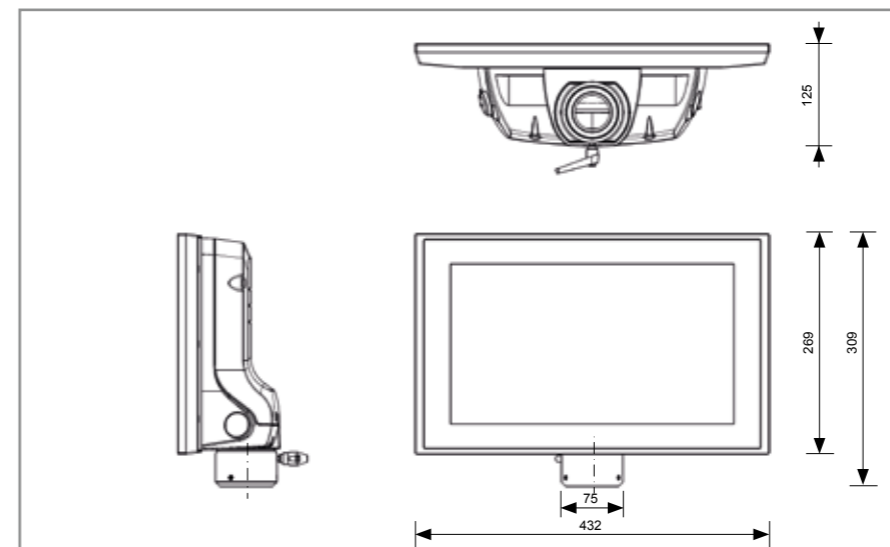


The HAFST $\alpha$  is the latest generation of semiautomatic color controllers from OLIGO Lichttechnik GmbH – surface controls. Light scenarios and light groups can be quickly and conveniently programmed via a TFT touchscreen display. A large overview display of the color matching booth visualizes the settings made.

The HAFST $\alpha$  is used in: color matching booths, color matching tabletop booths, color matching light laboratories



Features		Technical specifications	
Display	<ul style="list-style-type: none"> <li>15.6" Full-HD TFT display</li> <li>With fully integrated touchscreen</li> </ul>	Permitted ambient temperature	+5°C to +35°C
Interfaces	<ul style="list-style-type: none"> <li>2 x Ethernet 10/100/1000</li> </ul>	Supply voltage	<ul style="list-style-type: none"> <li>Controller: 24 V DC</li> <li>Junction box: 100-240 V AC</li> </ul>
Outputs	<ul style="list-style-type: none"> <li>24 DSI outputs</li> <li>Control of up to 420 color control optics</li> </ul>	Power consumption	50 watt
Inputs	--	Frequency	50-60 Hz
		Degree of protection	<ul style="list-style-type: none"> <li>Controller: IP65</li> <li>Junction box: IP54</li> </ul>
		Protection class	I



Exterior and mounting dimensions of the HAFST $\alpha$ . All data in mm.

### System components

- Semiautomatic color controller
- Junction box of the controller
- Support arm system

### Optional accessory

- Radio remote control

Special information	Quality criteria
<ul style="list-style-type: none"> <li>Easy and convenient to operate</li> <li>Minimal wiring</li> <li>Selection of various menu languages</li> </ul>	<ul style="list-style-type: none"> <li>LABS-free</li> <li>CE label</li> <li>EAC certification</li> <li>Protected against shortcircuits and overload</li> </ul>

Order number	System components	Dimensions in mm (WxHxD)	Housing material	Weight in kg
M308HA001AZ-EN	Semiautomatic color controller with touchscreen	432 x 309 x 125	Aluminum, Painting: white aluminum (similar to RAL9006)	approx. 5.3
	incl. junction box of the controller	400 x 400 x 120	Steel sheet, RAL7035 powder coated	approx. 8.5
	incl. support arm system			

