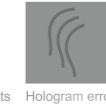


## Hand lamp

### EASY-TO-HANDLE SUNLIGHT SIMULATION



Hand lamp



The hand lamp provides simple sunlight simulation and is suitable for controlling surfaces with high reflection for surface and hologram defects as well as for ultra-fine defects.

Due to its practical handling it can be used flexibly.



#### Features

- Assembly
  - 3 x LED lamps (included)
- LED controller
  - Electronic transformer
- Optic
  - Lens optic
- Housing
  - Polycarbon, double wall with aluminum cooling rib
  - Splashproof, dustproof
- Front glass panel
  - Spotlight cover with glass pane
- Handing
  - Tilt joint for easy and precise alignment and adjustment to the workspace
  - Pivotal up to 345°
- Bushing
  - Power plug
  - approx. 5 m connection cable
- Power consumption
  - 10 W

#### Technical specifications

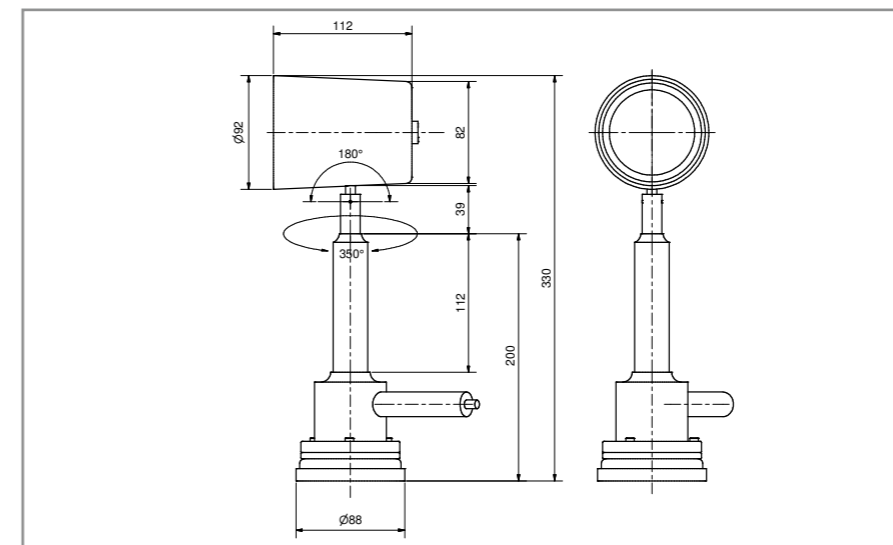
- Permitted ambient temperature +5°C to +35°C
- Rated voltage 220-240 V, 50/60 Hz
- Degree of protection IP65
- Protection class II

#### Options

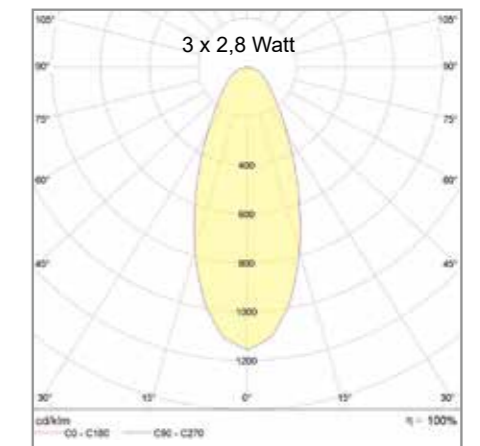
- Hand work light

#### Quality criteria

- LABS-free
- CE label
- Dustproof
- Splashproof



Exterior and mounting dimensions of the hand lamp. All data in mm.



Light distribution curve of the hand lamp. This chart shows the light distribution curve of the hand lamp with 3 x 2,8 Watt.

Order number catalog	Lamps	Beam angle	Connection system	Dimmable	Dimensions lamp head in mm
H101LD002 (Magnetic base)	3 x 2,8 Watt	10°	Power plug	No	92 x 115
H101LD003 (Handle with ballhead)	2 x 2,8 Watt	40°	Power plug	No	92 x 115

- Subject to changes -

