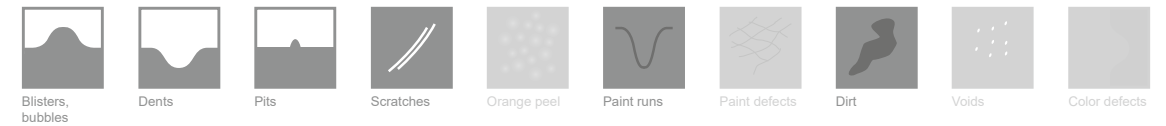


UM - upgrademaxLED

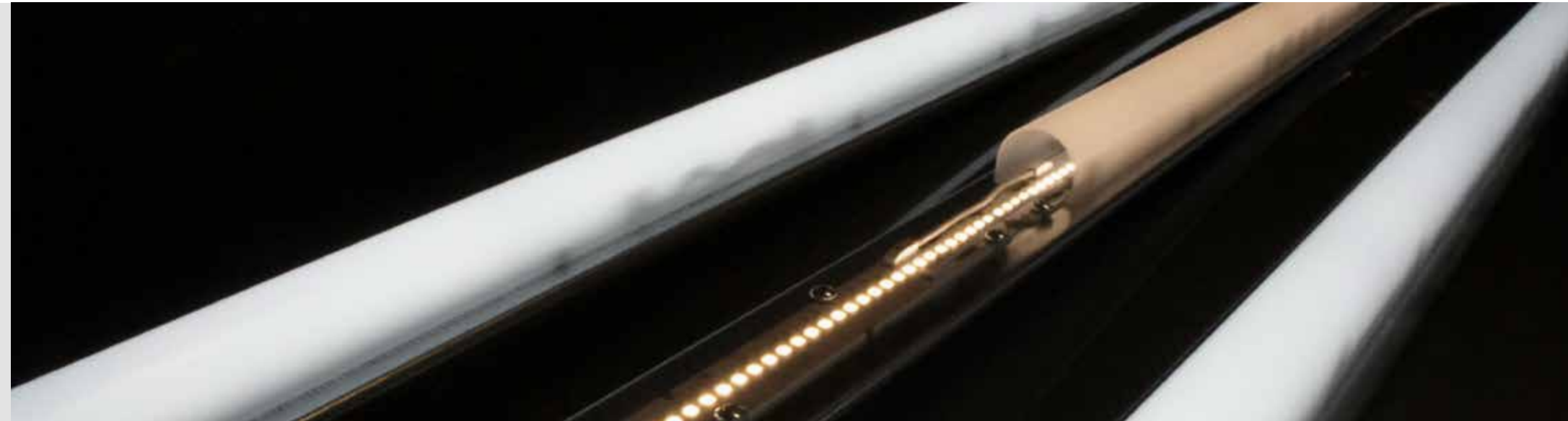
UPGRADE OF LPS50 / LPS100

OLIGO - SCOS OF FLUORESCENT LAMP IN LED TECHNOLOGY



The upgrademaxLED conversion kit allows a simple replacement of old fluorescent tubes with Oligos latest LED light units. The original housing is equipped with the upgrademaxLED kit to boost light quality and minimize energy consumption. All this on Oligos certified Premium quality level.

Particularly in the automotive sector, it is suitable for: topcoat, assembly and audit sites as well as other areas...



Features

- Assembly**
- 3 x LED light unit
e.g. 2 x 6.500 K, 1 x 4.000 K
 - 4 x LED light unit
e.g. 2 x 6.500 K, 2 x 4.000 K
- LED controller**
- 2 x electronic, digitally-dimmable

The replacement of the illuminants and LED control gear must be carried out by a qualified electrician.

Options

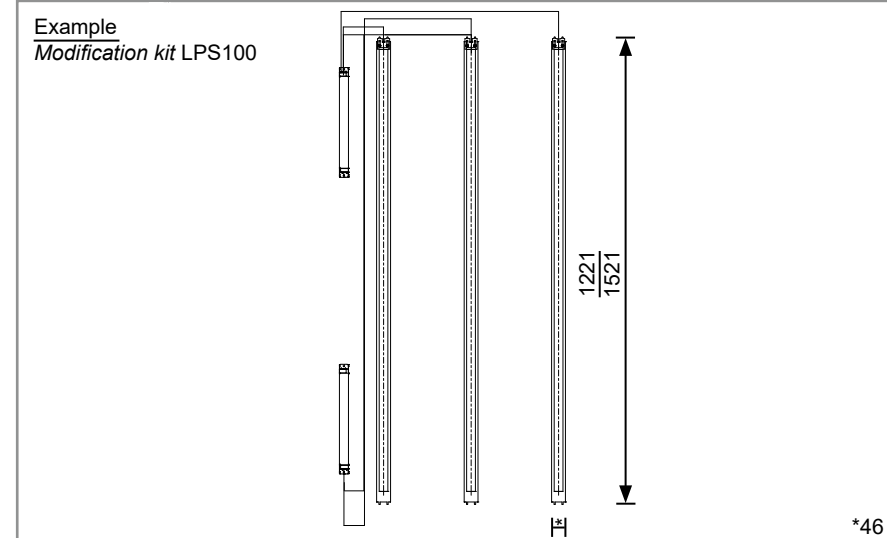
- Other color temperature compositions of the illuminants possible (4.000 K, 6.500 K)

Technical specifications

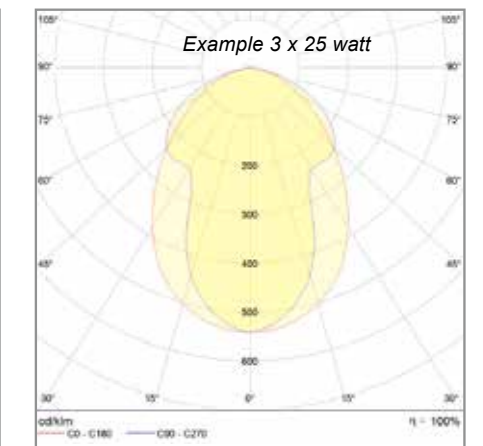
Power	3 x 25W / 4 x 25W 3 x 20W / 4 x 20W
Efficiency	100 lm/W
Lifetime	> 50.000 h
Permitted ambient temperature	+5°C to +35°C
Rated voltage	220-240 V, 0/50/60 Hz
Degree of protection	IP20 (respectively degree of protection (housing))
Protection class	I
UGR limit	≤20
(no explosion protection possible)	

Quality criteria

- Photobiological safety (EN 62471:2008): Risk group 1
- LABS-free
- CE label
- ENEC certification



Exterior and mounting dimensions of the modification kit upgrademaxLED. All data in mm.



Light distribution curve of the modification kit upgrademaxLED.

Order number	Type code	Lamps	Connection system	Reflector	Dimensions in mm (WxHxD)	Modification kit of SCO
U201AC003	UM43HE	3 x 20 watt	internal cabling	pre-existing	46 x 1221 x 34	3 x 36
U201AC001	UM53HE	3 x 25 watt	internal cabling	pre-existing	46 x 1521 x 34	3 x 58
U201AE003	UM44HE	4 x 20 watt	internal cabling	pre-existing	46 x 1221 x 34	4 x 36
U201AE001	UM54HE	4 x 25 watt	internal cabling	pre-existing	46 x 1521 x 34	4 x 58

- Subject to changes -

