

Alpha Remote Access

MODULE FOR EFFICIENT AND FAST SOLUTIONS



ARA



The module is available as an accessory for the *AST_{alpha}*, *HAST_{alpha}* and *HAFST_{alpha}*, controllers and enables remote maintenance of the products mentioned. Software updates, uploads and downloads of configuration data and remote access are carried out by our qualified service technicians under the highest security conditions quickly, reliably and directly from our company headquarter to your end device. In an instant, remote diagnoses are made, parameters are adjusted and possible errors are corrected, as if a technician were personally on site.



Features

- I/O interfaces
- 1 x WiFi Uplink Port
 - 1 x Ethernet 100 Base-T Uplink Port
 - 2 x Digital Input
 - 2 x Digital Output

Technical specifications

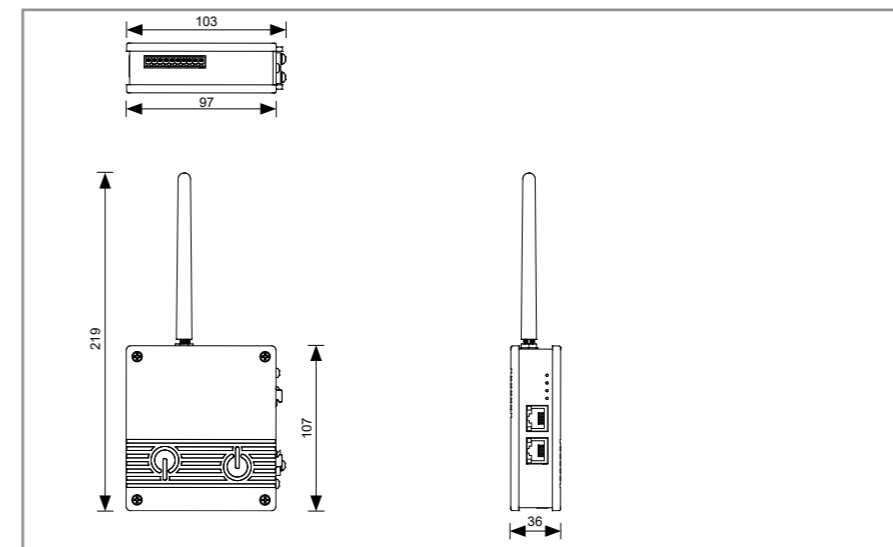
- Permitted ambient temperature -25°C to +60°C
- Supply voltage 12-24 V DC
- Power consumption 3 watt

Special information

- Optional WiFi Puck Antenna 2.4 & 5 GHz , 2 m cable
- The module is used in: light tunnels, color matching booths und an individual workstations

Quality criteria

- CE label
- UL designation (US)



Exterior and mounting dimensions of the Alpha Remote Access. All Data in mm.

Order number	Type code	System components	Dimensions in mm (BxHxT)	Material	Weight in kg
M307RA001	-	Alpha Remote Access	103 x 219 x 36	-	approx. 500 g

- Subject to changes -

