

Alpha Remote Access

MODULE FOR EFFICIENT AND FAST SOLUTIONS



ARA



The module is available as an accessory for the *AST_{alpha}*, *HAST_{alpha}* and *HAFST_{alpha}*, controllers and enables remote maintenance of the products mentioned. Software updates, uploads and downloads of configuration data and remote access are carried out by our qualified service technicians under the highest security conditions quickly, reliably and directly from our company headquarter to your end device. In an instant, remote diagnoses are made, parameters are adjusted and possible errors are corrected, as if a technician were personally on site.



Features

- I/O interfaces**
- 1 x WiFi Uplink Port
 - 1 x Ethernet 100 Base-T Uplink Port
 - 2 x Digital Input
 - 2 x Digital Output
- WiFi Puck Antenna**
- 2.4 & 5 GHz , 2 m cable

Technical specifications

- Permitted ambient temperature** -25°C to +60°C
- Supply voltage** 12-24 V DC
- Power consumption** 3 watt

Prerequisite

- Application site**
- Requires at least one LTE network

Quality criteria

- CE label
- UL designation (US)

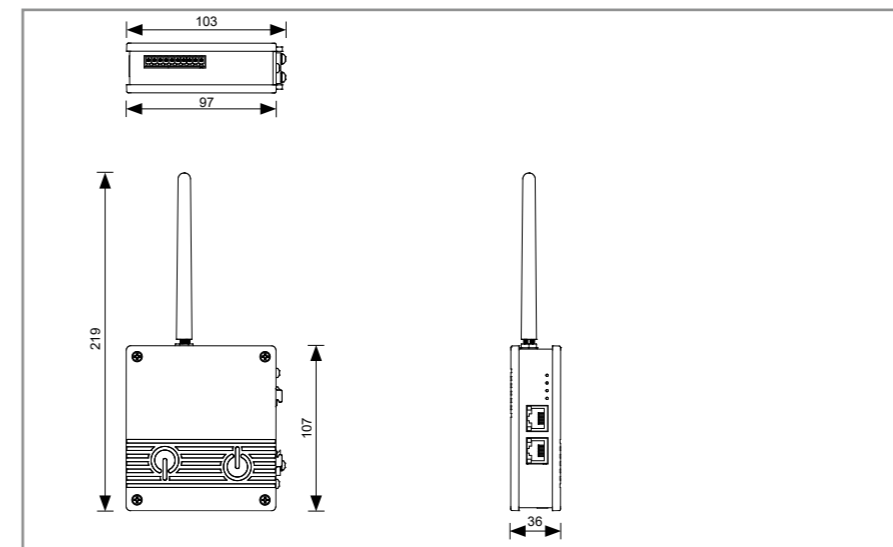
Special information

Optional ServiceFlat bookable:

- 3 years ServiceFlat (no limit for remote access)
 - 5 years ServiceFlat (no limit for remote access)
- Otherwise, services for remote access are provided exclusively against technician fees.

Criteria for UL-compliant mounting (US)

- Supply of the product by a SELV/PELV source
- WiFi Puck Antenna 2.4 & 5 GHz , 2 m cable
- Fuse : UL CEN JDYX2/8 max. 3A



Exterior and mounting dimensions of the Alpha Remote Access. All Data in mm.

Order number	Type code	System components	Dimensions in mm (BxHxT)	Material	Weight in kg
M307RA001	-	Alpha Remote Access	103 x 219 x 36	-	approx. 500 g

- Subject to changes -

